



PRE-MANUFACTURED FIBERGLASS SHOWER STALL



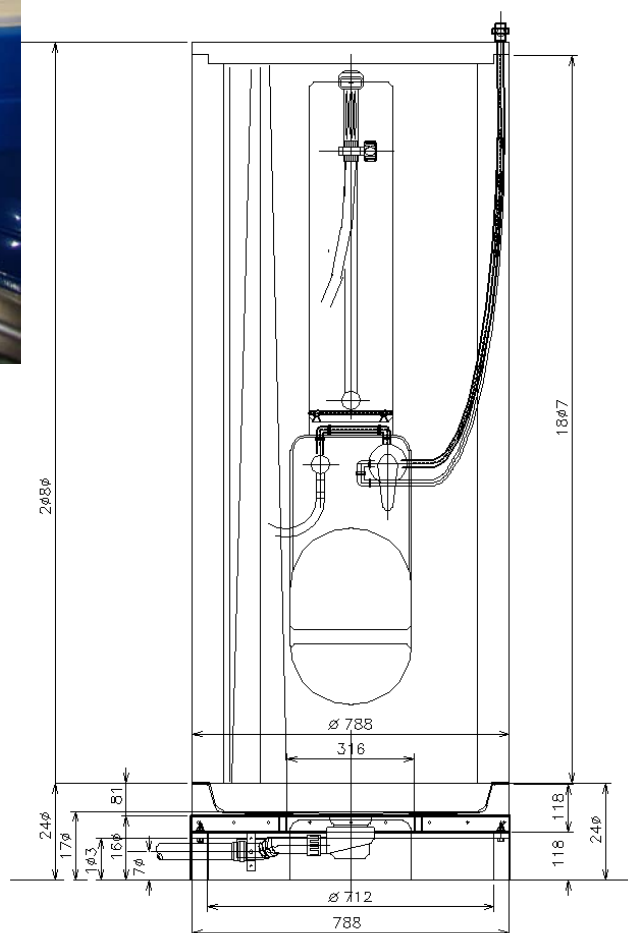
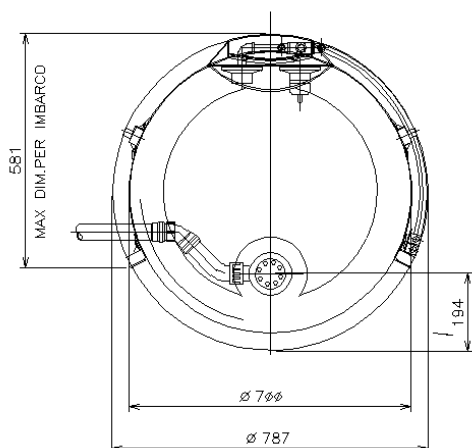
Certificato N° 8405/03/5

MADE OF R.I.N.A. CERTIFIED FIBERGLASS

OVERALL DIMENSIONS: DIAMETER 787 MM— HEIGHT 2080 MM

ACCESSORIES

- ◆ SHOWER MIXER brand PAFFONI type NT 010
- ◆ ADAPTOR brand ZUCCHETTI type Z9380P
- ◆ VACUUM BREAKER
- ◆ SHOWER HEAD brand GROHE type TEMPESTA ART. 28591
- ◆ STAINLESS STEEL ANTI-ROLL BAR Ø 6 mm
- ◆ NYLON CURTAIN (height mm 1840)
- ◆ CURTAIN POLE type SILENT GLISS 6100 SV. 1100 mm
- ◆ PVC OUDORLESS SIPHON Ø 40/50 mm
- ◆ GALVANIZED STEEL BASE
- ◆ STAINLESS STEEL FRONT BASE
- ◆ ANTI-SLIP FLOOR
- ◆ INSULATED COPPER MADE WATER ADDUCTION SYSTEM (hot & cold) Ø 15 mm
- ◆ VALVOLE TERMINALI Ø 1/2" FEMMINA
- ◆ SHOWER BLOWPIPE WITH UP-DOWN SYSTEM



THE PICTURES ARE FOR SALE PURPOSE ONLY.
THE COMPANY IS ALLOWED TO CHANGE THE PRODUCT FEATURES WITHOUT ANY COMMUNICATION.

Alcinav S.p.A.

Via della Repubblica, 45/A - 54011 - Albiano Magra - Aulla (MS) - Tel.: +39 0187 415455 - FAX: +39 0187 415750

www.alcinav.it - info@alcinav.it

P.IVA 01207360452 - R.E.A. 121784 - C.S.: 500.000,00 i.v.