

FIBERGLASS WASHBASIN



Certificato N° 8405/03/5

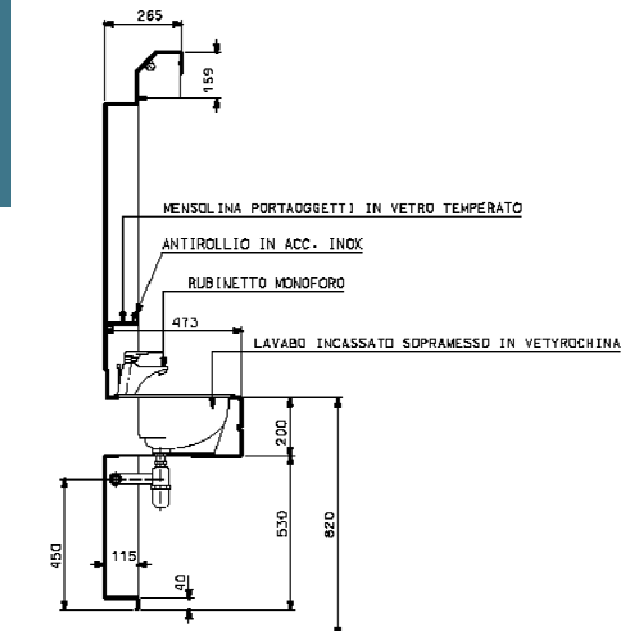
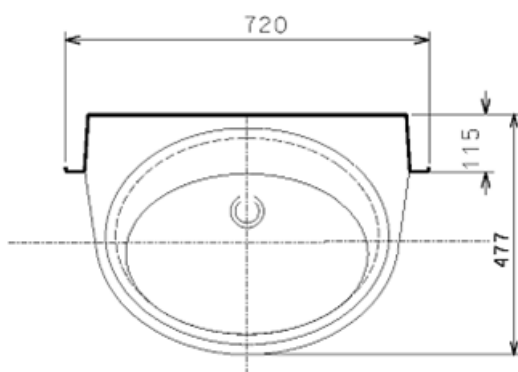
Icinav

MADE OF R.I.N.A. CERTIFIED FIBERGLASS

OVERALL DIMENSIONS: WIDTH 720- THICKNESS 115/477- HEIGHT 1930 MM

ACCESSORIES

- ◆ FIBERGLASS STRUCTURE
- ◆ MIXER brand PAFFONI type NT 075
- ◆ EMBEDDED WASHBASIN brand POZZI GINORI type ONTARIO
- ◆ CHROMED BRASS SIPHON brand GHIDINI)1/14
- ◆ CHROMED BRASS TUBE Ø 32 mm L. 80 mm
- ◆ PLASTIC SOAP DISH brand INDA type 2211
- ◆ PLASTIC GLASS HOLDER brand INDA type 2210 (Nr. 2)
- ◆ EMBEDDED POWER SOCKET WITH TRANSFORMER 220/110 V brand B-TICINO MAGIC type 5460 X
- ◆ ANTI-MILDEW MIRROR Dim. 620x880xt 6 mm
- ◆ GLASS MADE SHELF (Th. 6 mm)
- ◆ STAINLESS STEEL ANTI-ROL BAR
- ◆ LAMP brand TECNODELTA power 30 W
- ◆ LAMP SWITCH



Alcinav S.p.A.

Via della Repubblica, 45/A - 54011 - Albiano Magra - Aulla (MS) - Tel.: +39 0187 415455 - FAX: +39 0187 415750
www.alcinav.it - info@alcinav.it
PIVA 01207360452 - R.E.A. 121784 - C.S.: 500.000,00 i.v.